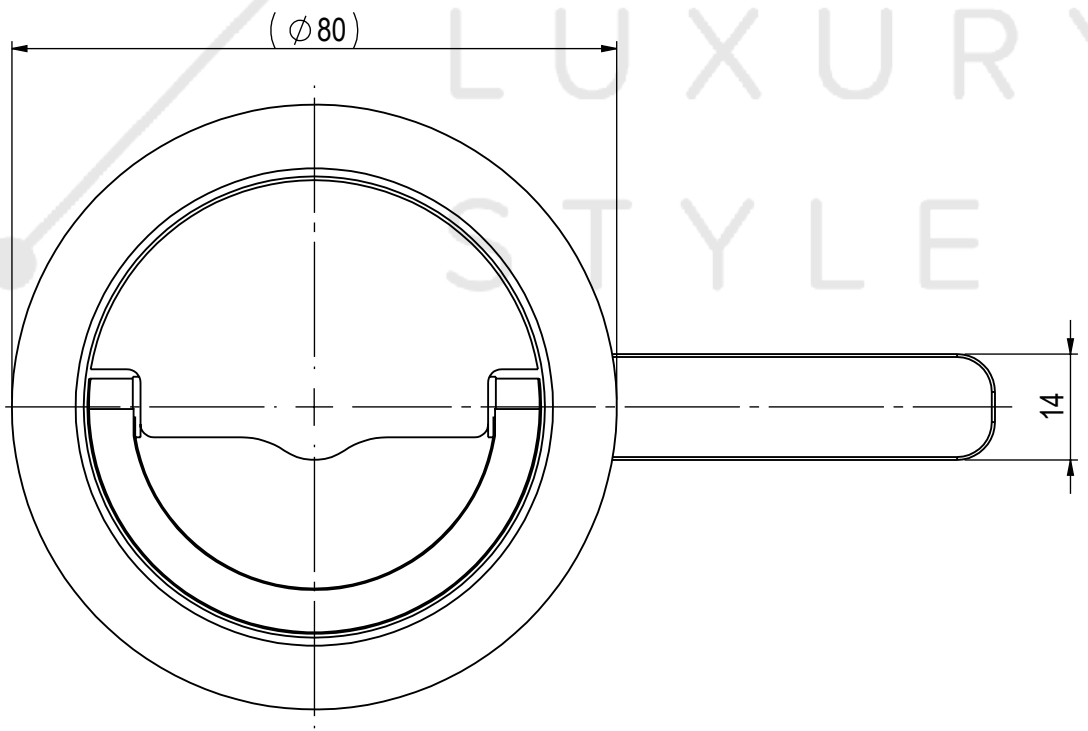



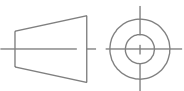

GRUB SCREWS CLAMP THE LEVER ALLOWING POSITION ADJUSTEMENT ON THE STEAM

SUPPORT SURFACE ON THE HATCH

FROM 2 TO 60 ON REQUEST



This design is a private property of YLS srl and can't be reproduced or disclosed without its authorization.

SURFACE TREATMENT:		MATERIAL:		CODE:			
-		AISI 316L		YLSA80FV03 - TECHNICAL DATASHEET			
General tolerances: UNI EN ISO 22768 - m		Rugosity:		ASSEMBLY:			
				ALZAPAIOLO A VISTA AVVITATO Ø80			
CREATED	Last revision	Not dimensioned chips:		PARTICULAR:			
DATE	07/02/2022	17/08/2023	Not dimensioned fittings:		-		
NAME	D. ROSSI		Revision:	03			
		YACHT LUXURY STYLE		WEIGHT:	459.18g	TABLE FORMAT:	A4
				N° piece:		SCALA:	1:1