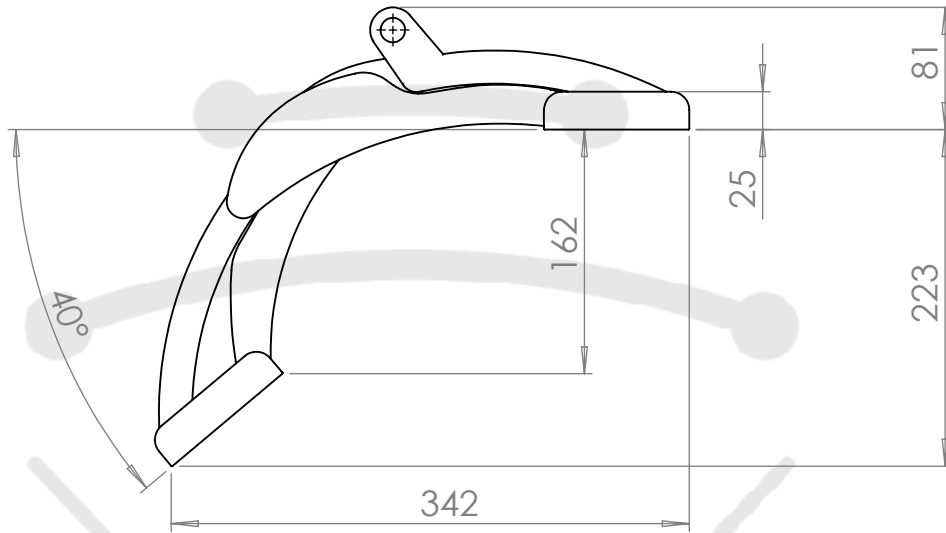
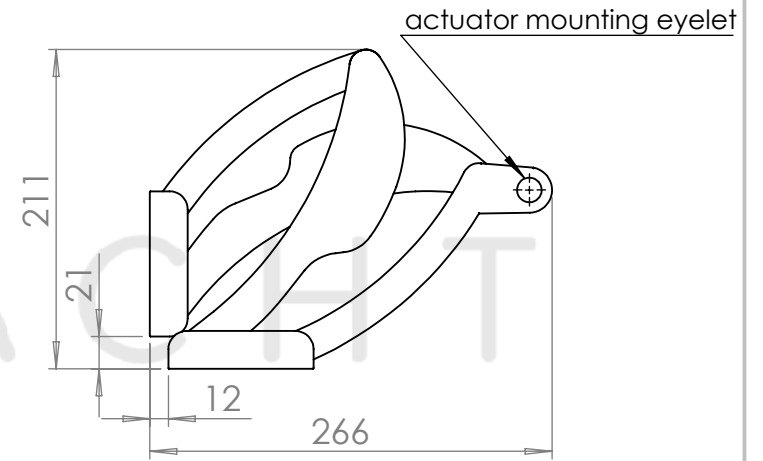


This design is a private property of YLS srl and can't be reproduced or disclosed without its authorization.

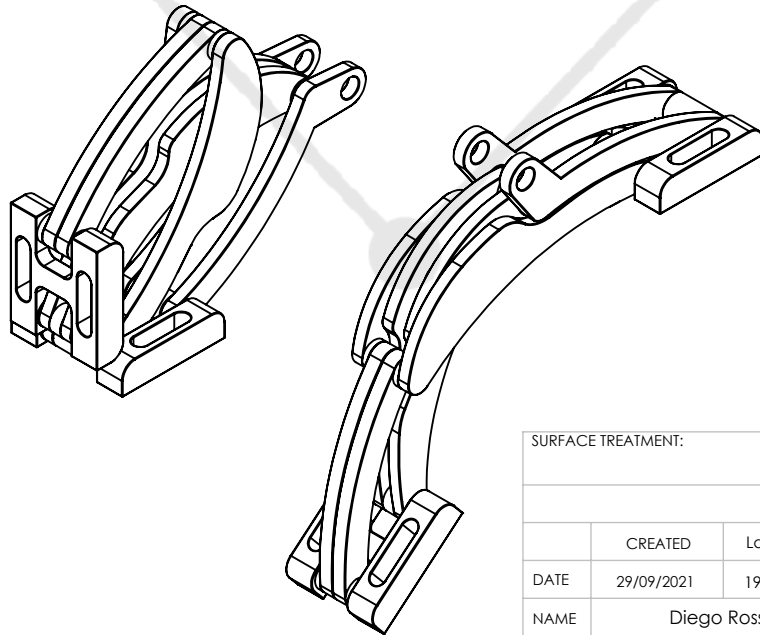
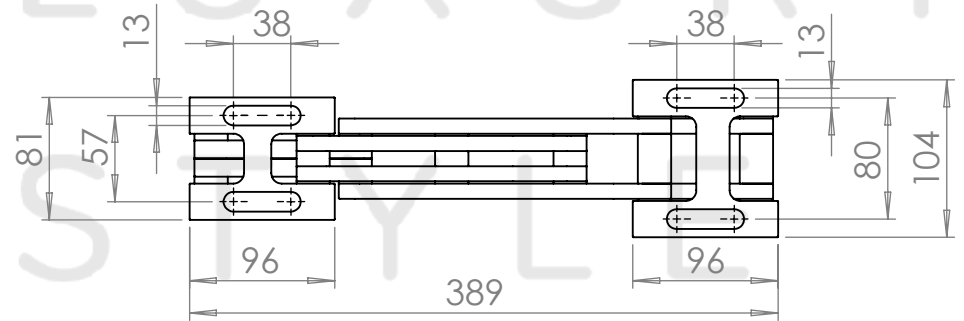
Big spider hinge, 130° (Maximum opening)



Big spider hinge, 0°



Big spider hinge, 90° (Bottom view)



SURFACE TREATMENT:		MATERIAL:	CODE:
		AISI 316L	YLSCRBKF
		Rugosity:	ASSEMBLY:
		Not dimensioned chips:	Big Spider Hinge KF
CREATED	Last revision	Not dimensioned fittings:	PARTICULAR:
DATE	29/09/2021	19/11/2021	
NAME	Diego Rossi		Revision:
		WEIGHT: 6.3 kg	TABLE FORMAT: A4
		N° piece:	SCALE: 1:5

