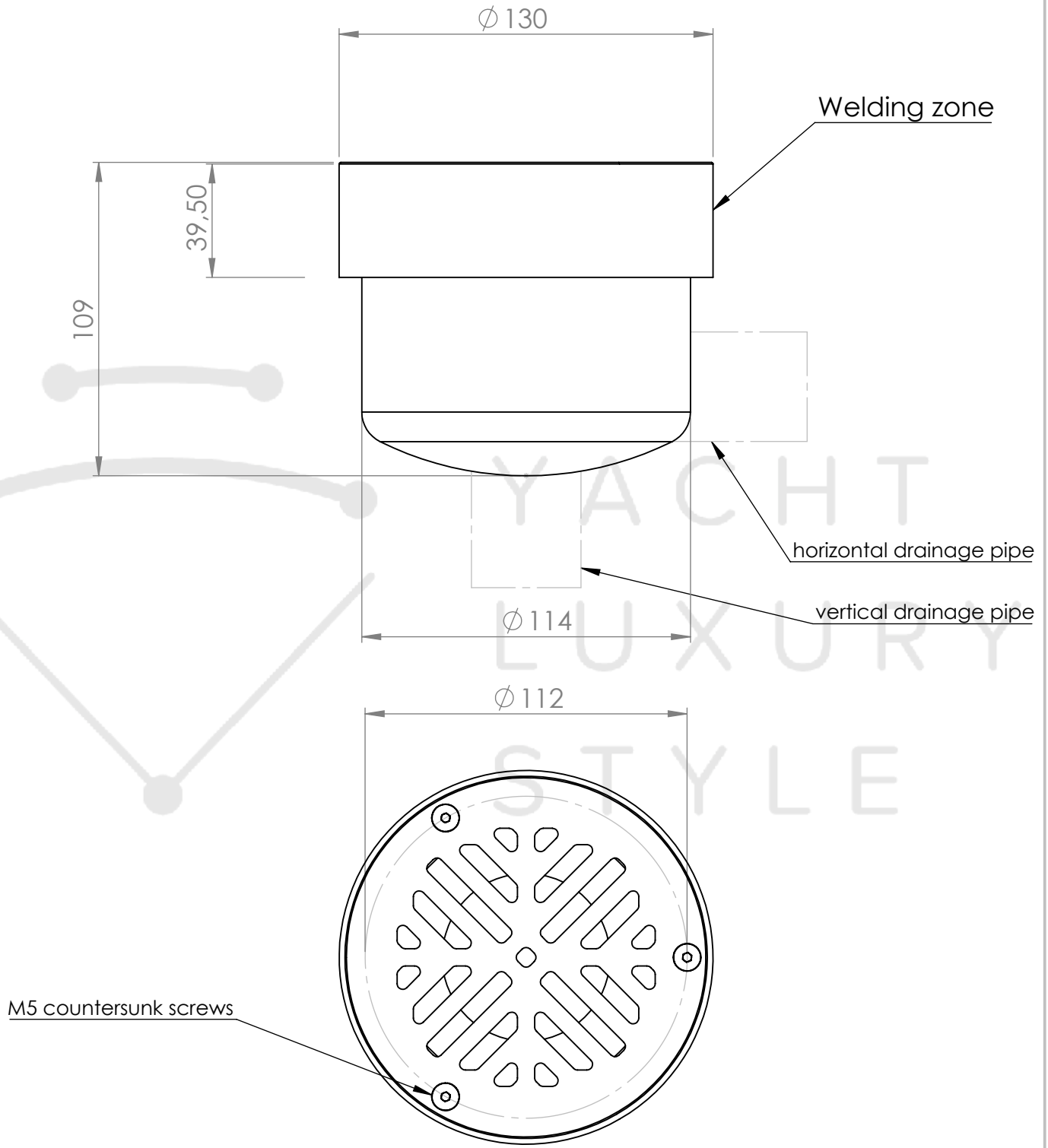




This design is a private property of YLS srl and can't be reproduced or disclosed without its authorization.



SURFACE TREATMENT:		MATERIAL: AISI 316		CODE: YLSPSB		
General tolerances:		Rugosity:		ASSEMBLY: Big drainage sump, weld on steel		
DATE	02/10/2017	Last revision	22/11/2021	PARTICULAR:		
NAME	Diego Rossi		Revision:			
				WEIGHT: 1.63 kg		TABLE FORMAT: A4
				N° piece:		SCALA: 1:2