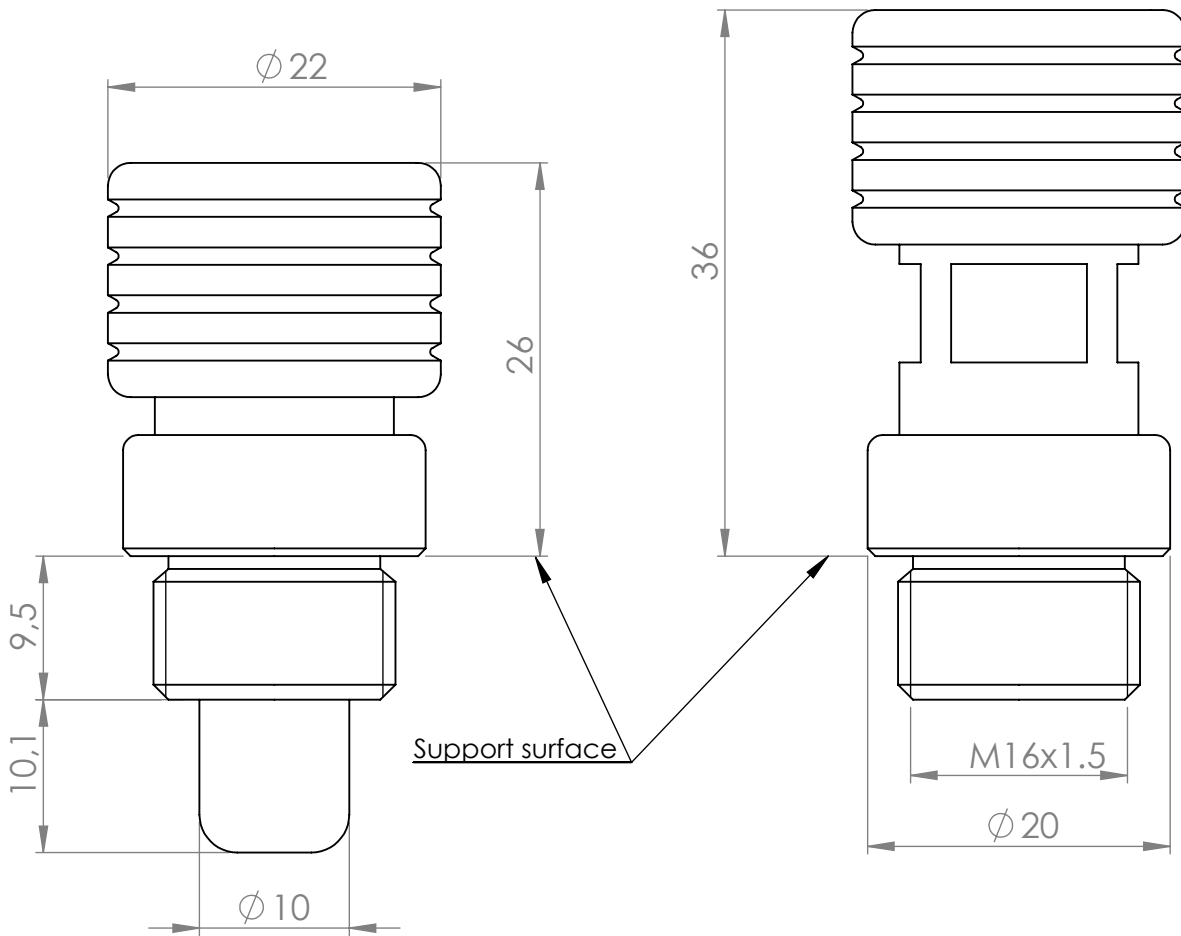



**Closed**

**Open**



**Open**

SURFACE TREATMENT:		MATERIAL: AISI 316		CODE: YLSPB10			
General tolerances:		Rugosity:		ASSEMBLY: Locking Linchpin			
CREATED	Last revision	Not dimensioned chips:		PARTICULAR:			
DATE	23/09/2015	22/11/2021	Not dimensioned fittings:				
NAME	Diego Rossi		Revision:				
 <b>YACHT LUXURY STYLE</b>				WEIGHT: 79 g		TABLE FORMAT: A4	
				N° piece:		SCALA: 2:1	

