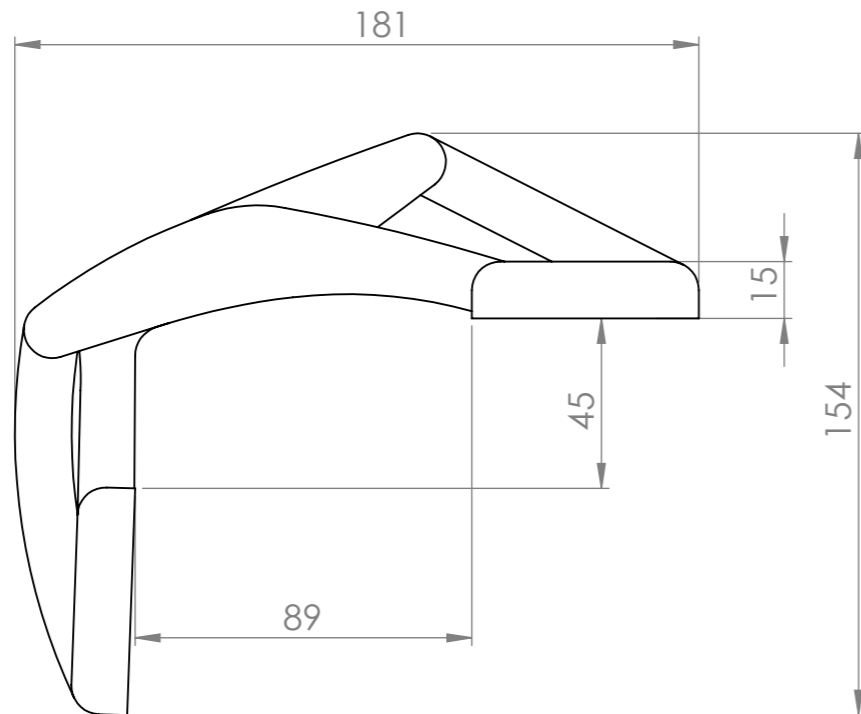
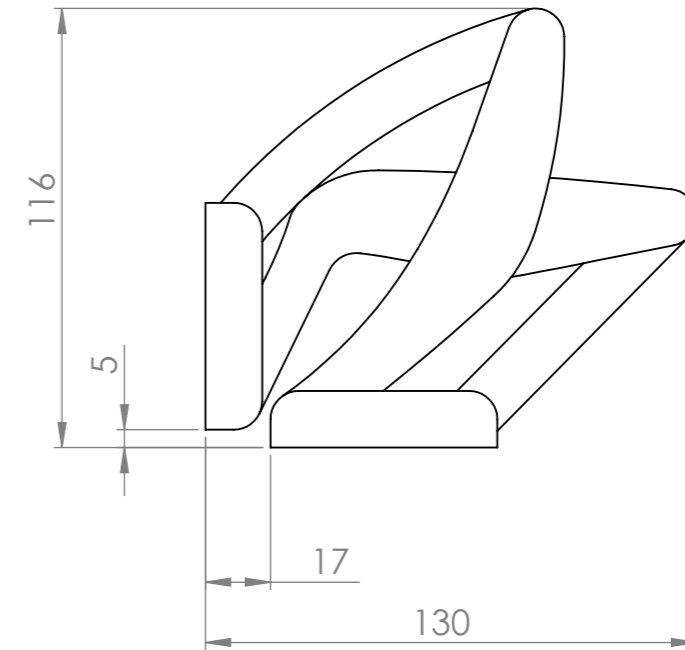


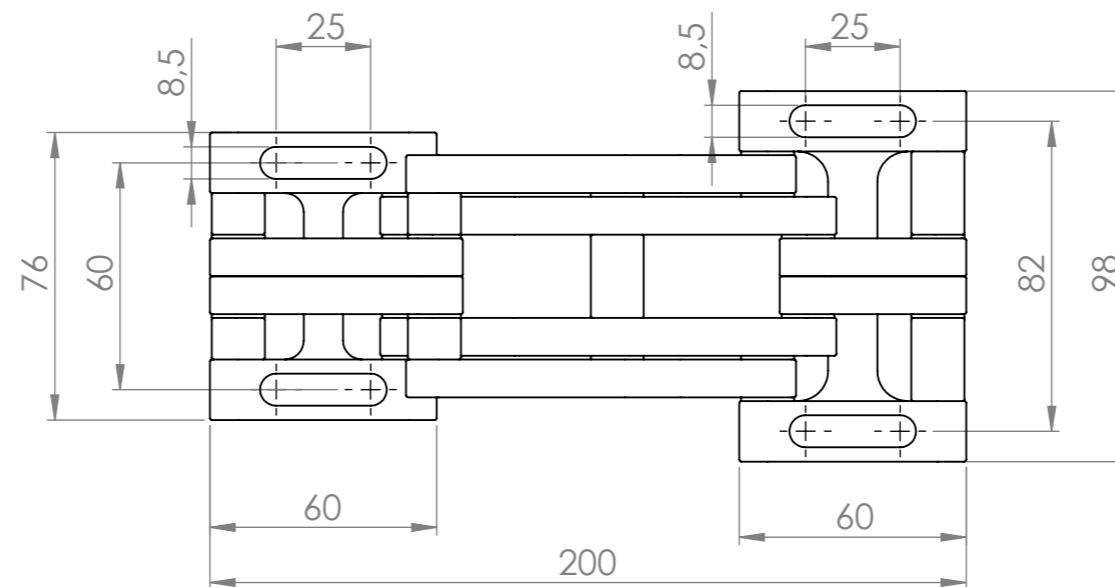
Medium spider hinge, 178° (Maximum opening)




Medium spider hinge, 0°



Medium spider hinge, 90° (Top view)



SURFACE TREATMENT:		MATERIAL:		CODE:	
		AISI 316L		YLSCRM	
		Rugosity:		ASSEMBLY:	
		Not dimensioned chips:		Medium spider hinge	
CREATED	Last revision	Not dimensioned fittings:		PARTICULAR:	
DATE	23/09/2015	22/11/2021			
NAME	Diego Rossi		Revision:		
 YACHT LUXURY STYLE				WEIGHT: 1.97 kg	
				TABLE FORMAT: A4	
				N° piece:	
				SCALE: 1:2	

