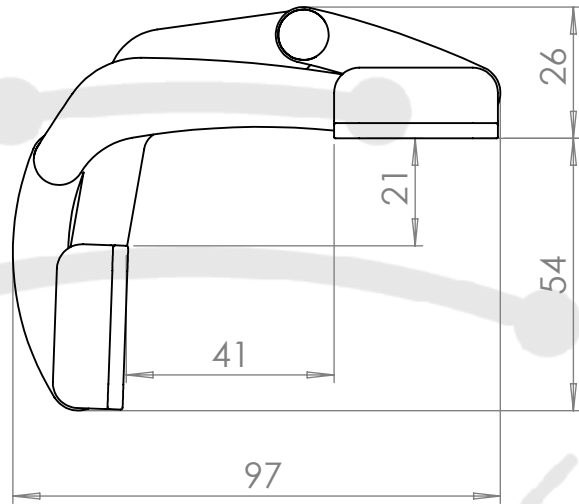
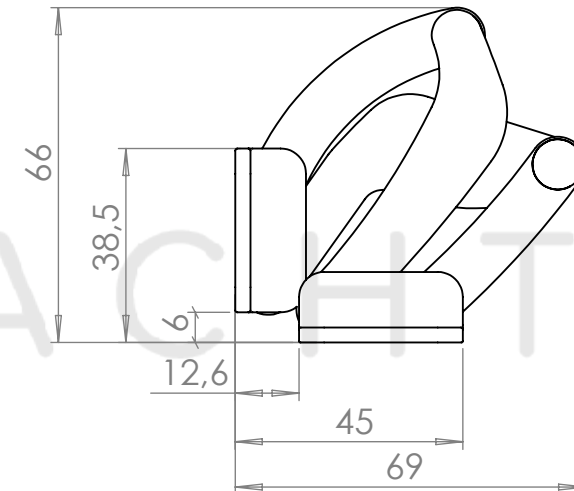


This design is a private property of YLS srl and can't be reproduced or disclosed without its authorization.

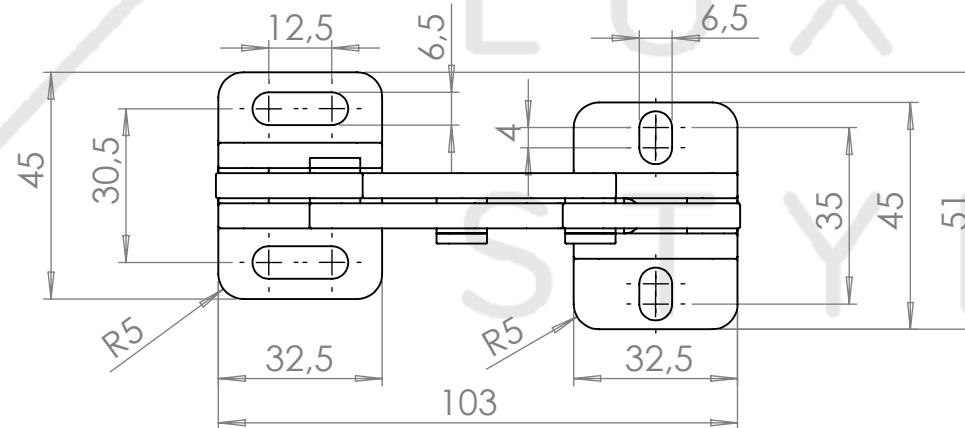
**Compact slim spider hinge, 178° (Maximum opening)**




**Compact slim spider hinge, 0°**



**Compact slim spider hinge, 90° (Top view)**



SURFACE TREATMENT:		MATERIAL: AISI 316		CODE: YLSCRIS	
		Rugosity:		ASSEMBLY: Compact slim spider hinge	
	CREATED	Last revision	Not dimensioned chips:		
DATE	19/11/2021	19/11/2021	Not dimensioned fittings:		
NAME	Diego Rossi		Revision:		
			WEIGHT: 0.25 kg		TABLE FORMAT: A4
			N° piece:		SCALE: 2:3

