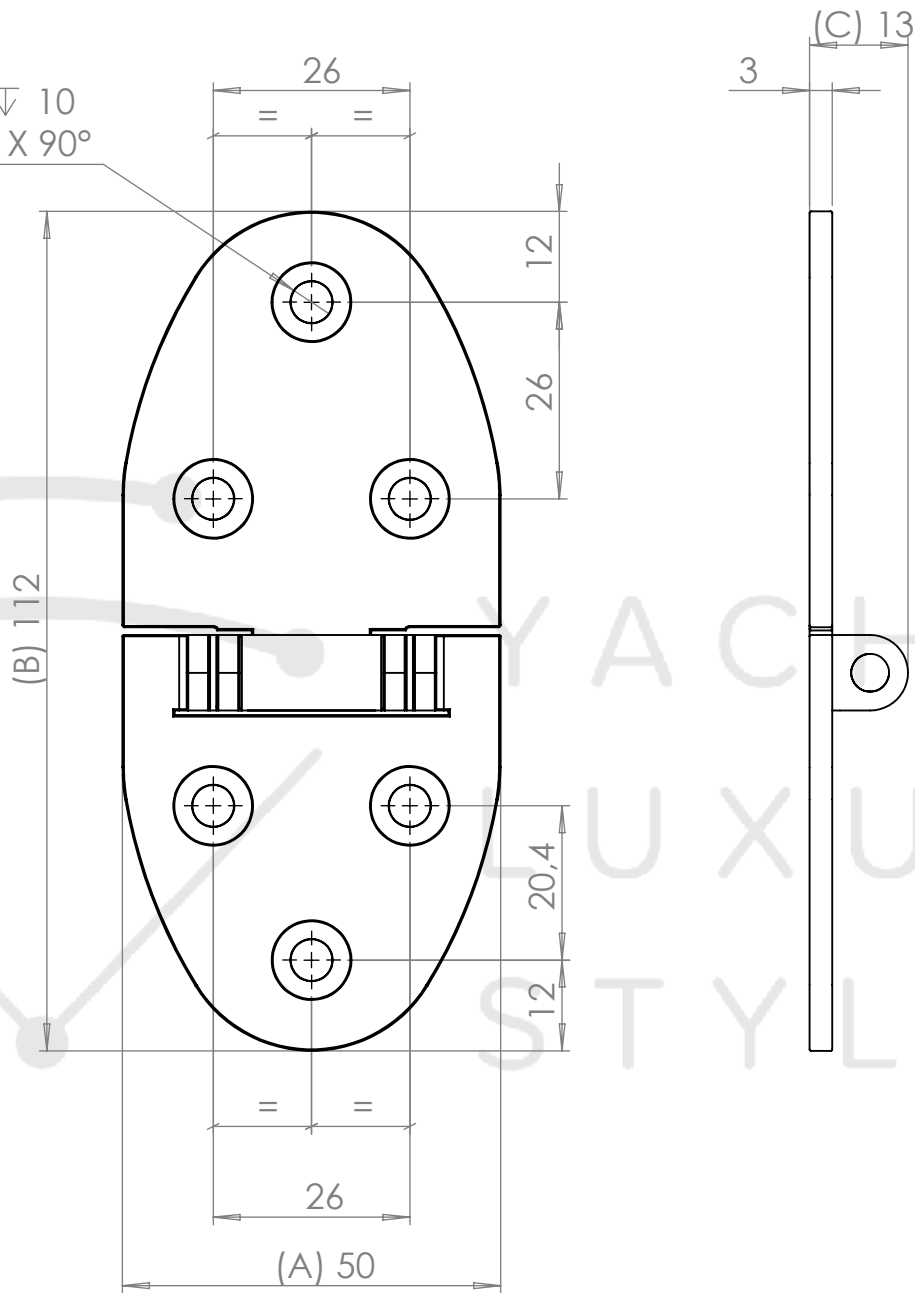




3 x $\varnothing 6 \nabla 10$
 $\surd \varnothing 10 \times 90^\circ$



Range of dimensions:

A: from 50 mm to 100 mm
 B: from 112 mm to 220 mm
 C: from 13 mm to 20 mm

Weight displayed in the title block is referred to A=50 B=112 C=13

SURFACE TREATMENT:		MATERIAL: AISI 316		CODE: YLSCLCS		
General tolerances: UNI EN ISO 22768 - m		Rugosity:		ASSEMBLY: 180° simple hinge with countersunk holes		
CREATED	Last revision	Not dimensioned chips:		PARTICULAR:		
DATE	29/09/2021	18/11/2021	Not dimensioned fittings:			
NAME	Diego Rossi		Revision:			
				WEIGHT: 0.124 kg		TABLE FORMAT: A4
				N° piece:		SCALA: 1:1

This design is a private property of YLS and can't be reproduced or disclosed without its authorization.