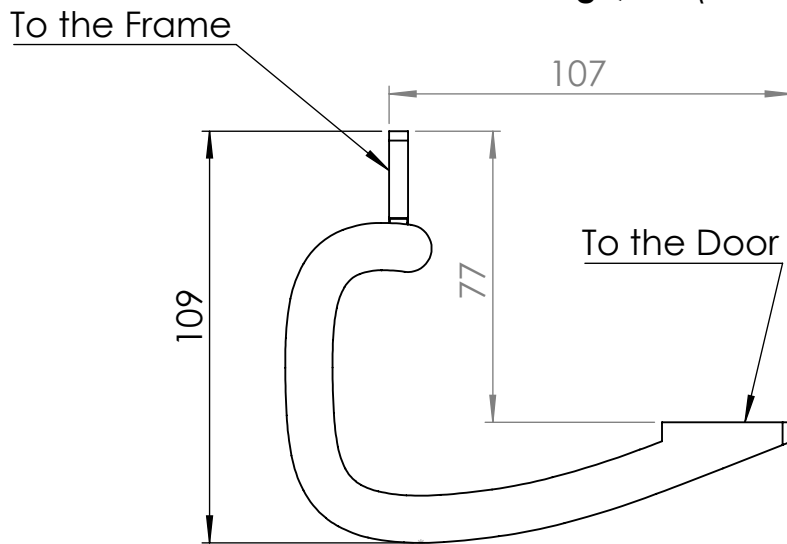
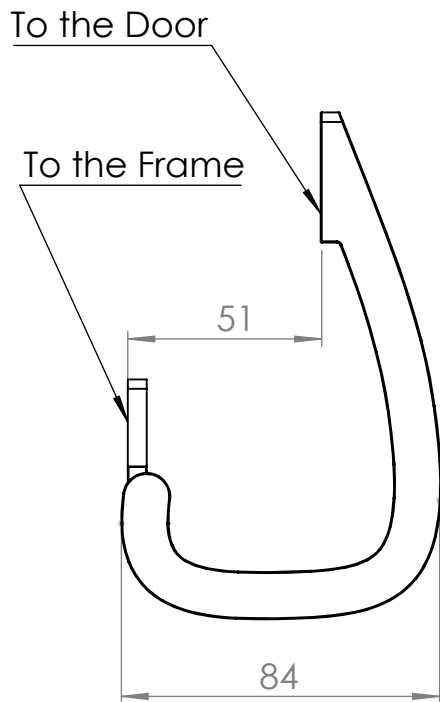


Small Gooseneck Hinge, 0° - (Closed)

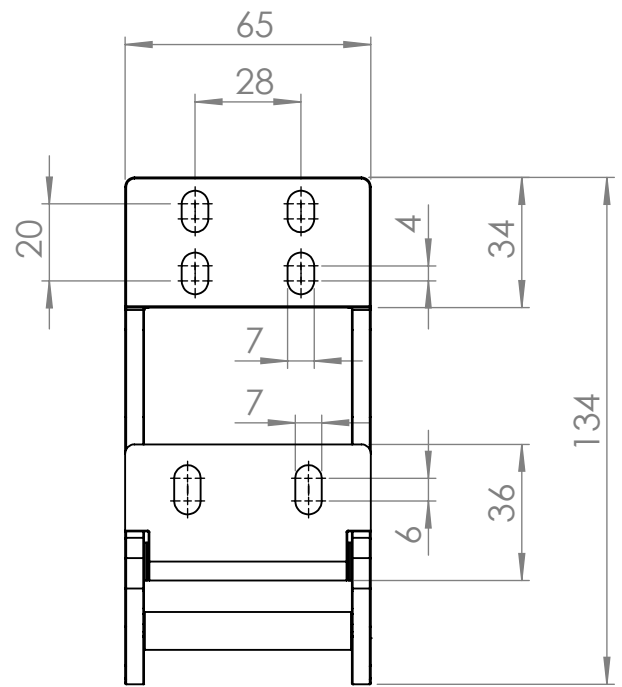




Dimensions shown only for reference of the average size of the model.
Custom made hinge.

Small Gooseneck Hinge, 90° - (Opened)



Small Gooseneck Hinge - Bottom view



SURFACE TREATMENT:		MATERIAL: AISI 316L		CODE: YLSCGS		
General tolerances: UNI EN ISO 22768 - m		Rugosity:		ASSEMBLY: Small Gooseneck Hinge		
CREATED	Last revision	Not dimensioned chips:		PARTICULAR:		
DATE	09/09/2021	18/11/2021	Not dimensioned fittings:			
NAME	Diego Rossi		Revision:			
 YACHT LUXURY STYLE				WEIGHT: 437 g		TABLE FORMAT: A4
				N° piece:		SCALA: 1:2
						