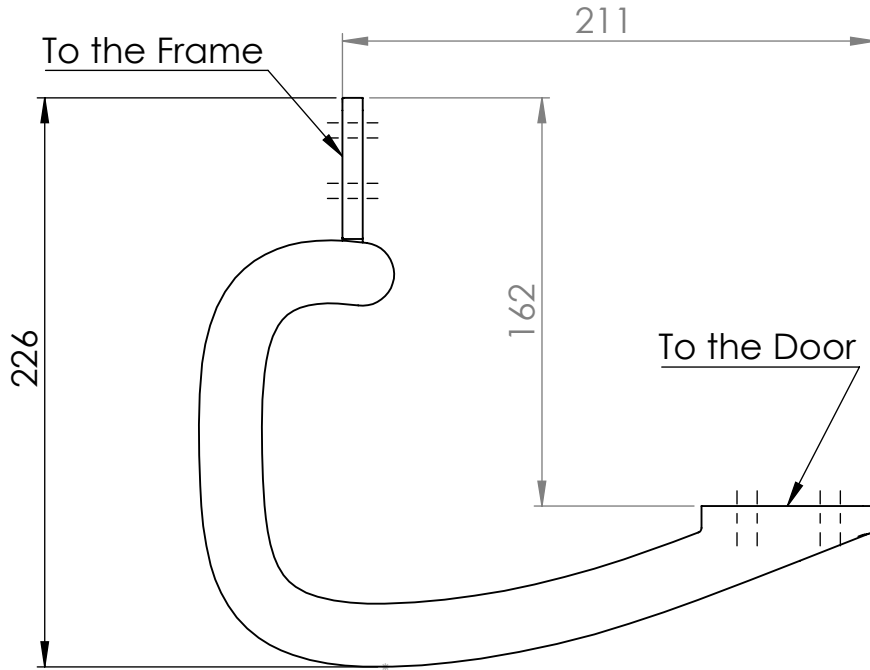
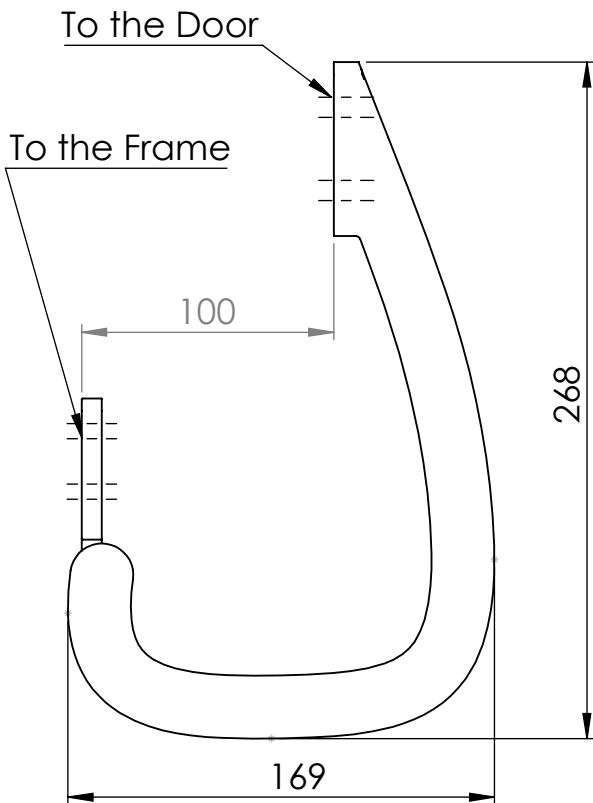


Medium Gooseneck Hinge, 0° - (Closed)

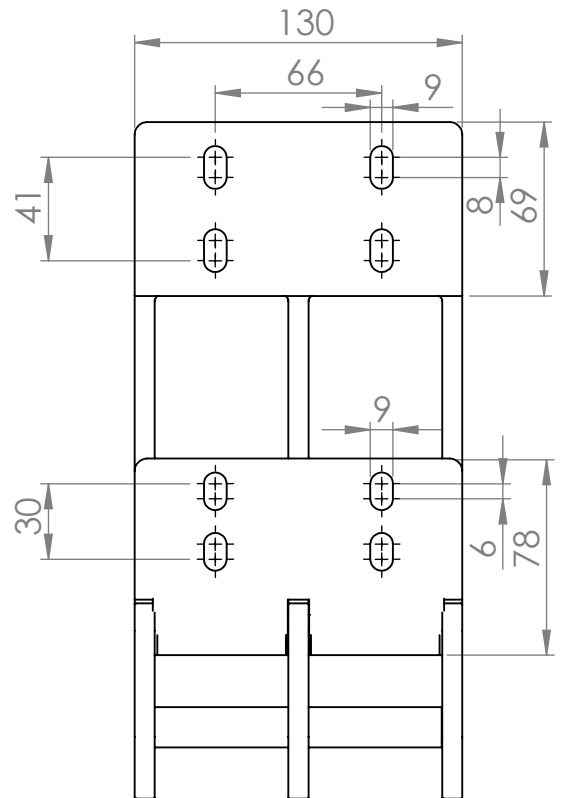


Dimensions shown only for reference of the average size of the model. Custom made hinge.



Medium Gooseneck Hinge, 90° - (Opened)



Medium Gooseneck Hinge- Bottom view



This design is a private property of YLS srl and can't be reproduced or disclosed without its authorization.

SURFACE TREATMENT:		MATERIAL: AISI 316L		CODE: YLSCGM		
General tolerances: UNI EN ISO 22768 - m		Rugosity:		ASSEMBLY: Medium Gooseneck Hinge		
CREATED	Last revision	Not dimensioned chips:		PARTICULAR:		
DATE	18/08/2021	18/11/2021	Not dimensioned fittings:			
NAME	Diego Rossi		Revision:			
 YACHT LUXURY STYLE				WEIGHT: 3935g		TABLE FORMAT: A4
				N° piece:		SCALA: 1:3
						