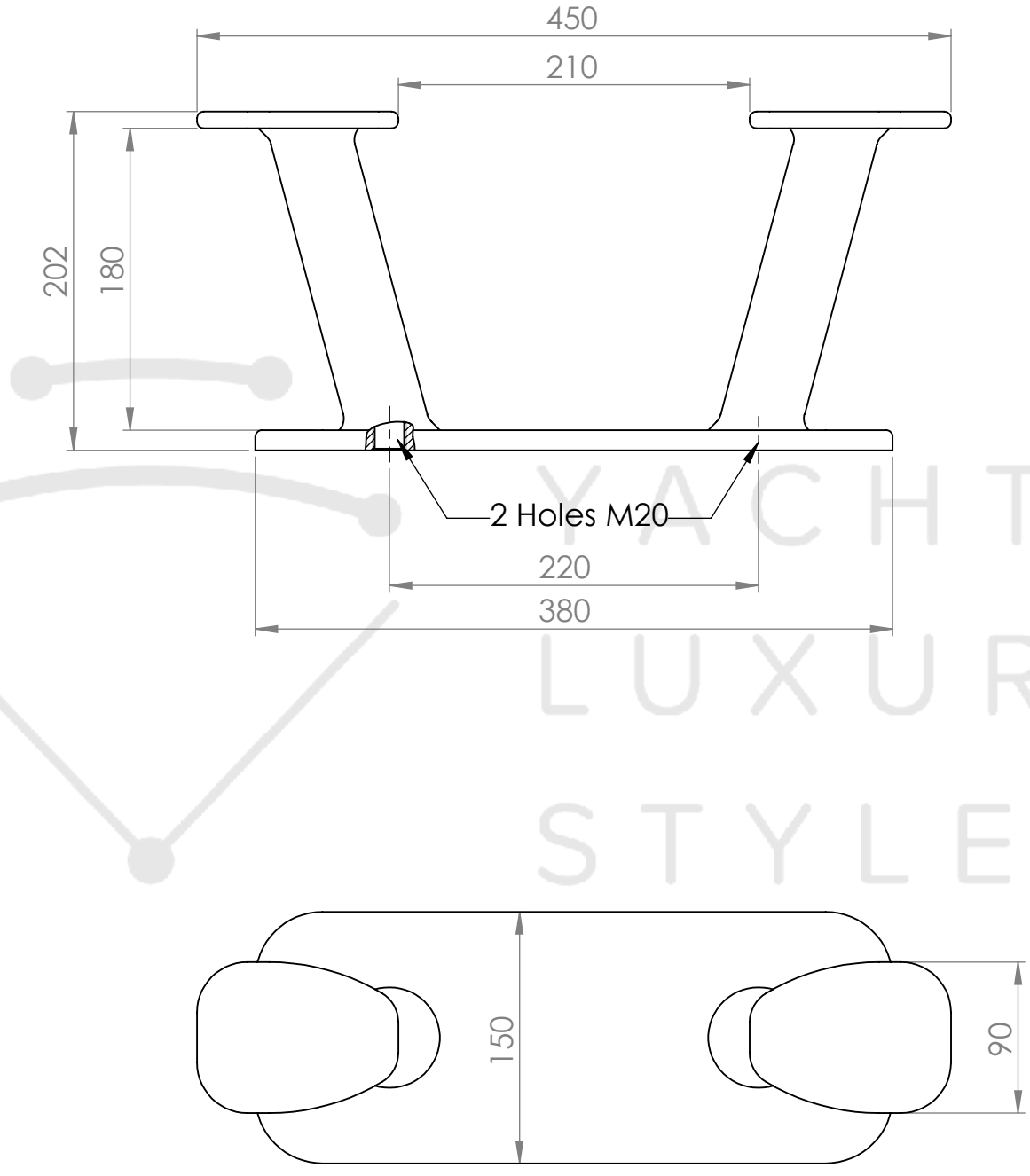




This design is a private property of YLS srl and can't be reproduced or disclosed without its authorization.



YACHT  
LUXURY  
STYLE

SURFACE TREATMENT:		MATERIAL: AISI 316		CODE: YLSBTF380		
General tolerances: UNI EN ISO 22768 - m		Rugosity:		ASSEMBLY: Mushroom bollard 380		
CREATED	Last revision	Not dimensioned chips:		PARTICULAR:		
DATE	09/06/2020	15/11/2021	Not dimensioned fittings:			
NAME	Diego Rossi		Revision:			
				WEIGHT: 8787.35g		TABLE FORMAT: A4
				N° piece:		SCALA: 1:4