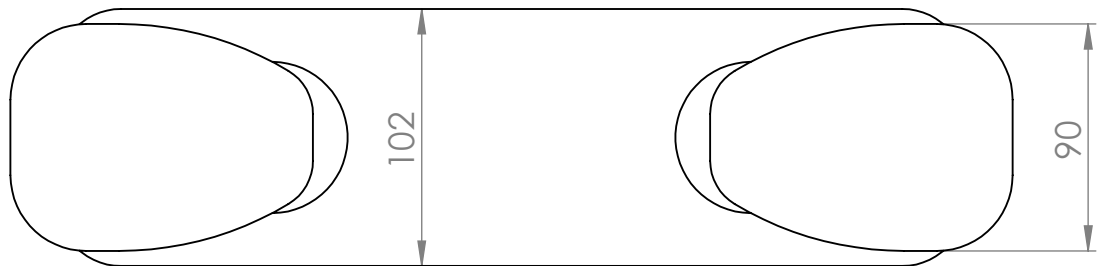
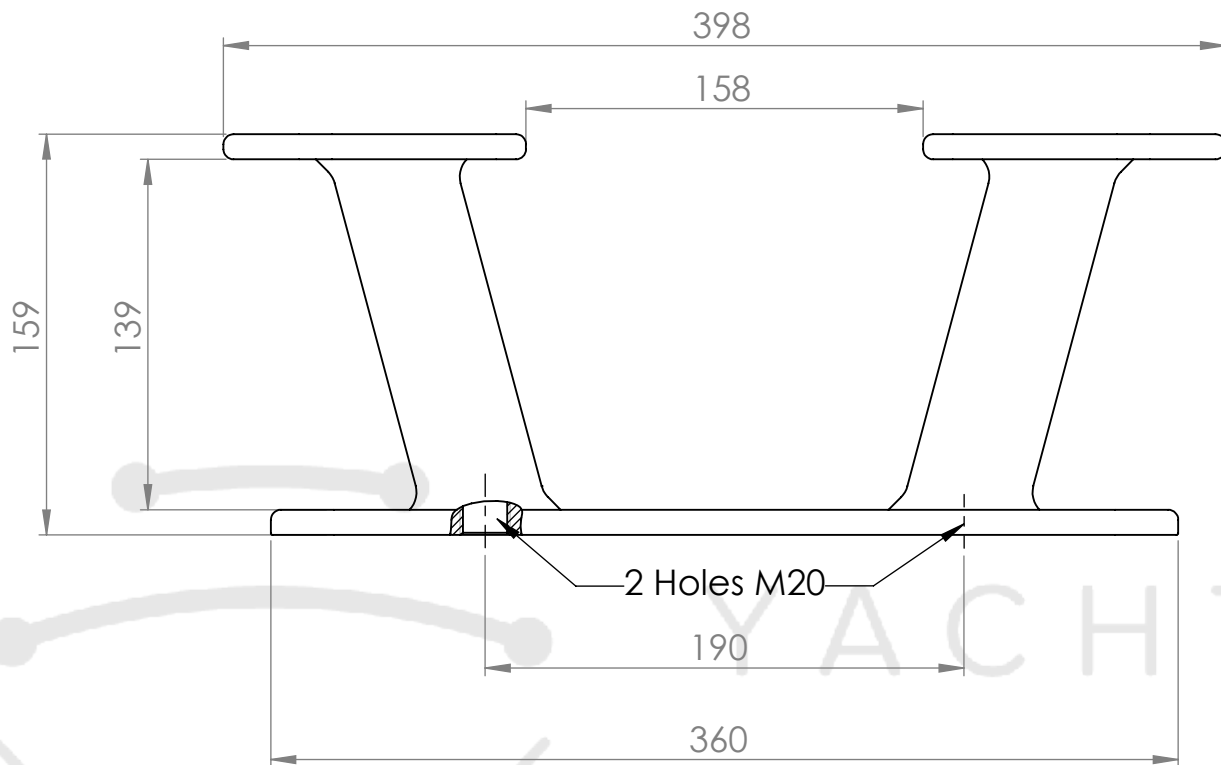




This design is a private property of YLS srl and can't be reproduced or disclosed without its authorization.



YACHT
LUXURY
STYLE

SURFACE TREATMENT:		MATERIAL: AISI 316		CODE: YLSBTF360				
General tolerances: UNI EN ISO 22768 - m		Rugosity:		ASSEMBLY: Mushroom Bollard 360				
CREATED	Last revision	Not dimensioned chips:		PARTICULAR:				
DATE	09/06/2020	15/11/2021	Not dimensioned fittings:					
NAME	Diego Rossi		Revision:					
 YACHT LUXURY STYLE				WEIGHT: 5891.17g		TABLE FORMAT: A4		
				N° piece:		SCALA: 1:3		