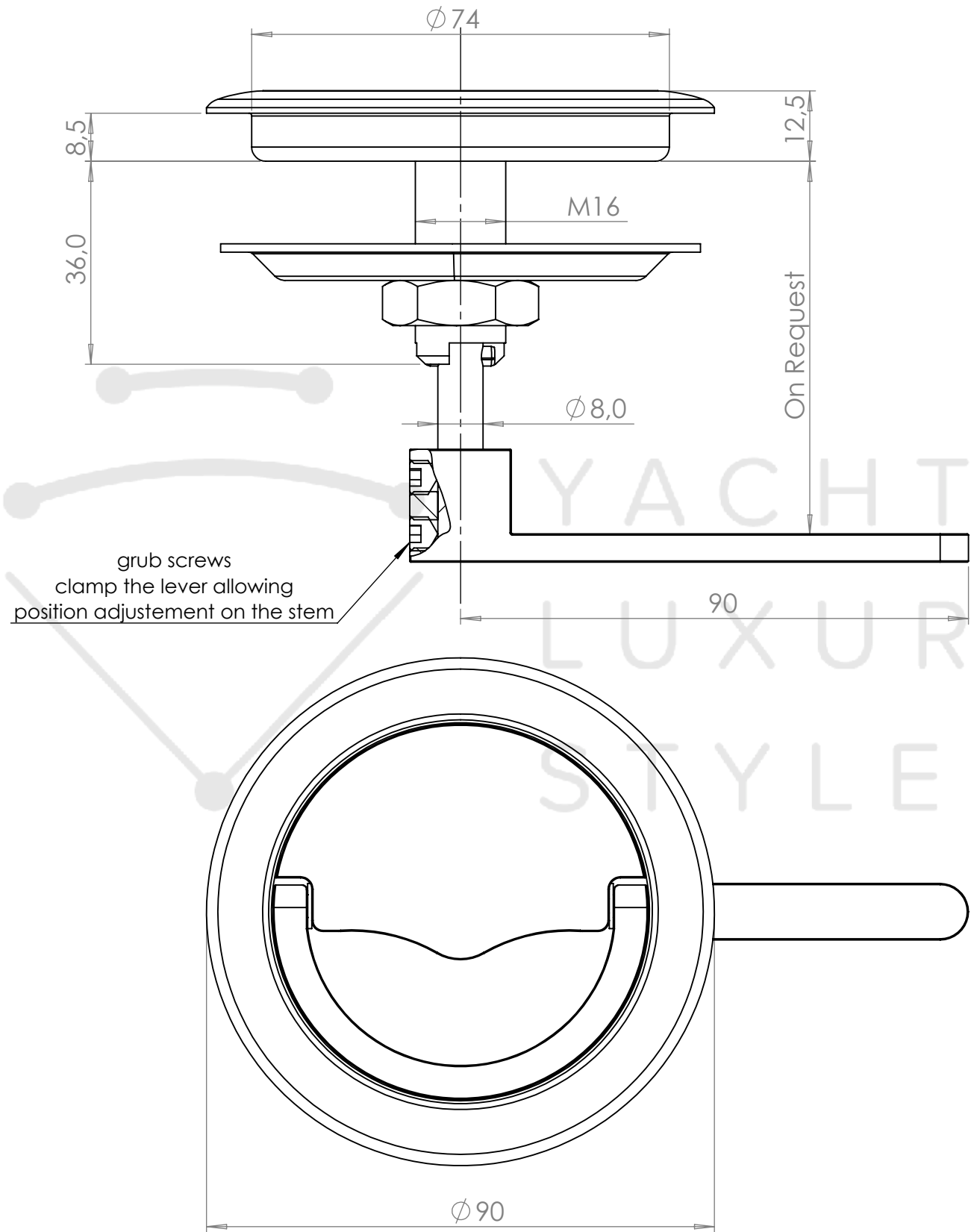


This design is a private property of YLS srl and can't be reproduced or disclosed without its authorization.



SURFACE TREATMENT:		MATERIAL: AISI 316 / Alluminium		CODE: YLSA90V - technical datasheet
General tolerances: UNI EN ISO 22768 - m		Rugosity:		ASSEMBLY: 90 mm raised latch
CREATED	Last revision	Not dimensioned chips:		PARTICULAR:
DATE	15/11/2021	17/11/2021		
NAME	Diego Rossi		Revision: 01	



WEIGHT: 0.47 kg / 0.18 kg	TABLE FORMAT: A4
N° piece:	SCALE: 1:1

