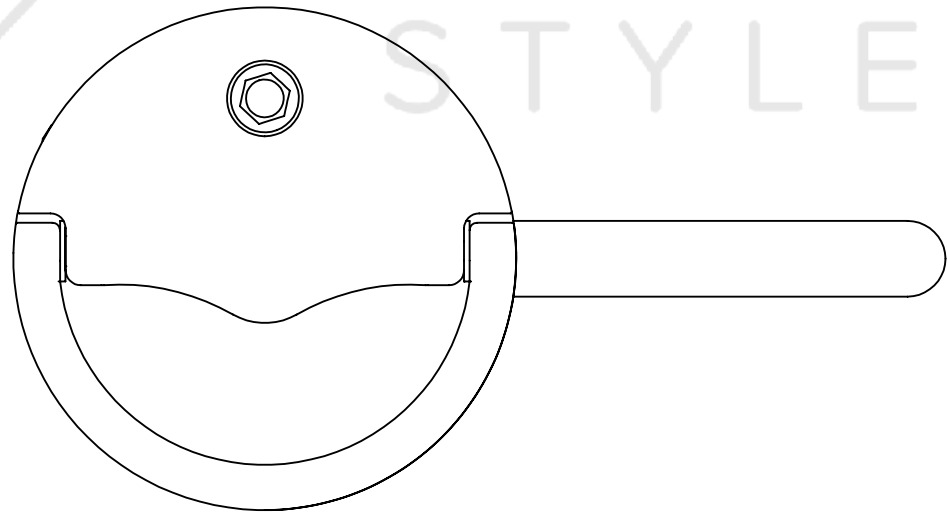



YACHT
LUXURY
STYLE



SURFACE TREATMENT:		MATERIAL: AISI 316		CODE: YLSA90FIK	
General tolerances: UNI EN ISO 22768 - m		Rugosity:		ASSEMBLY: 90 mm screw recessed latch, with key	
CREATED	Last revision	Not dimensioned chips:		PARTICULAR:	
DATE	15/11/2021	17/11/2021	Not dimensioned fittings:		
NAME	Diego Rossi		Revision: 01		
 YACHT LUXURY STYLE		WEIGHT: 0.36 kg		TABLE FORMAT: A4	
		N° piece:		SCALE: 1:1	

