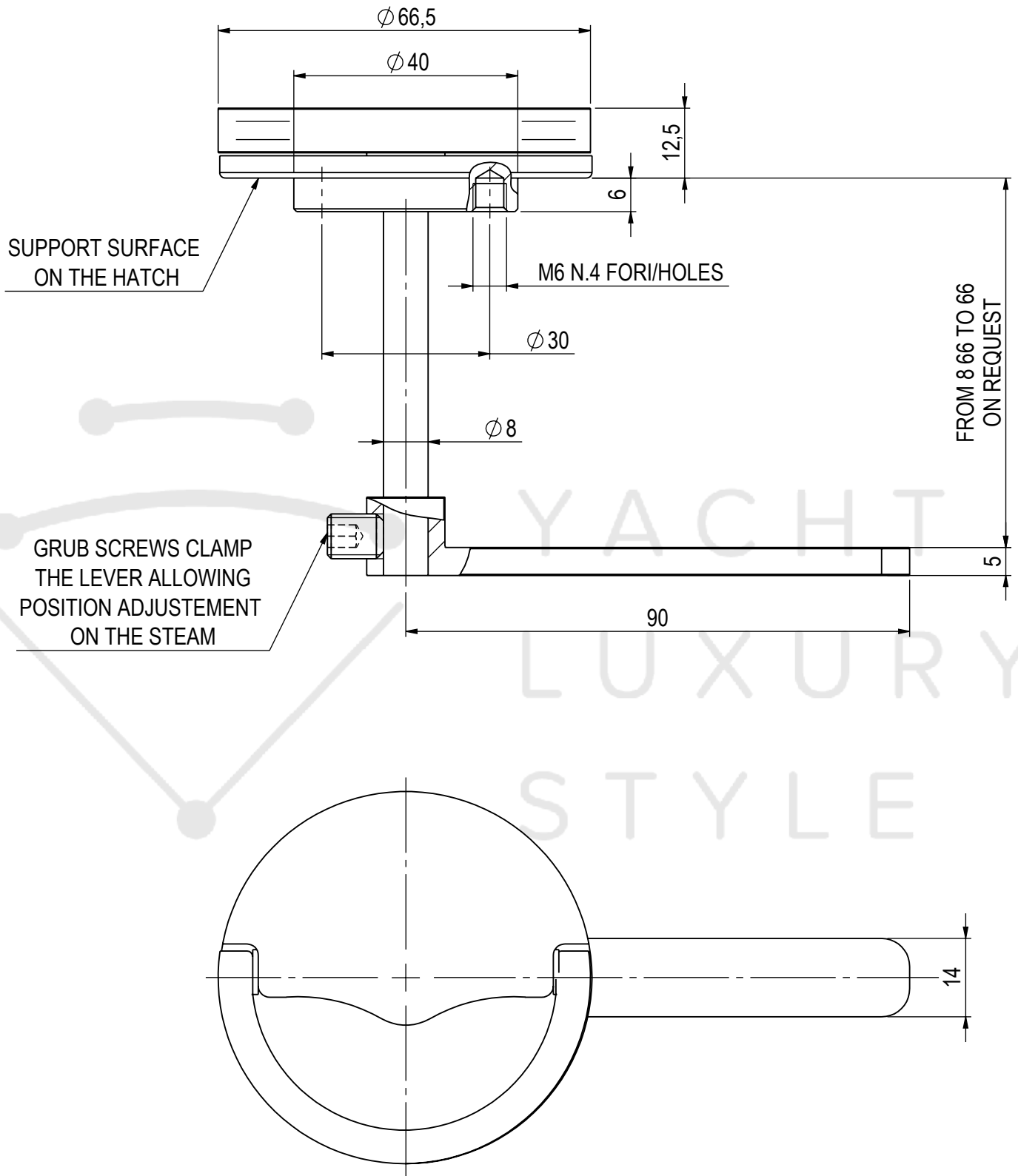





This design is a private property of YLS srl and can't be reproduced or disclosed without its authorization.



SURFACE TREATMENT:		MATERIAL:		CODE:			
-		Materiale <non specificato>		YLSA90FI02 - TECHNICAL DATASHEET			
General tolerances: UNI EN ISO 22768 - m		Rugosity:		ASSEMBLY:			
				66 MM SCREW RECESSED LATCH			
CREATED	Last revision	Not dimensioned chips:		PARTICULAR:			
DATE	15/11/2021	14/07/2023	Not dimensioned fittings:		-		
NAME	D. ROSSI		Revision:	02			
				WEIGHT:	412.42g	TABLE FORMAT:	A4
				N° piece:		SCALA:	1:1