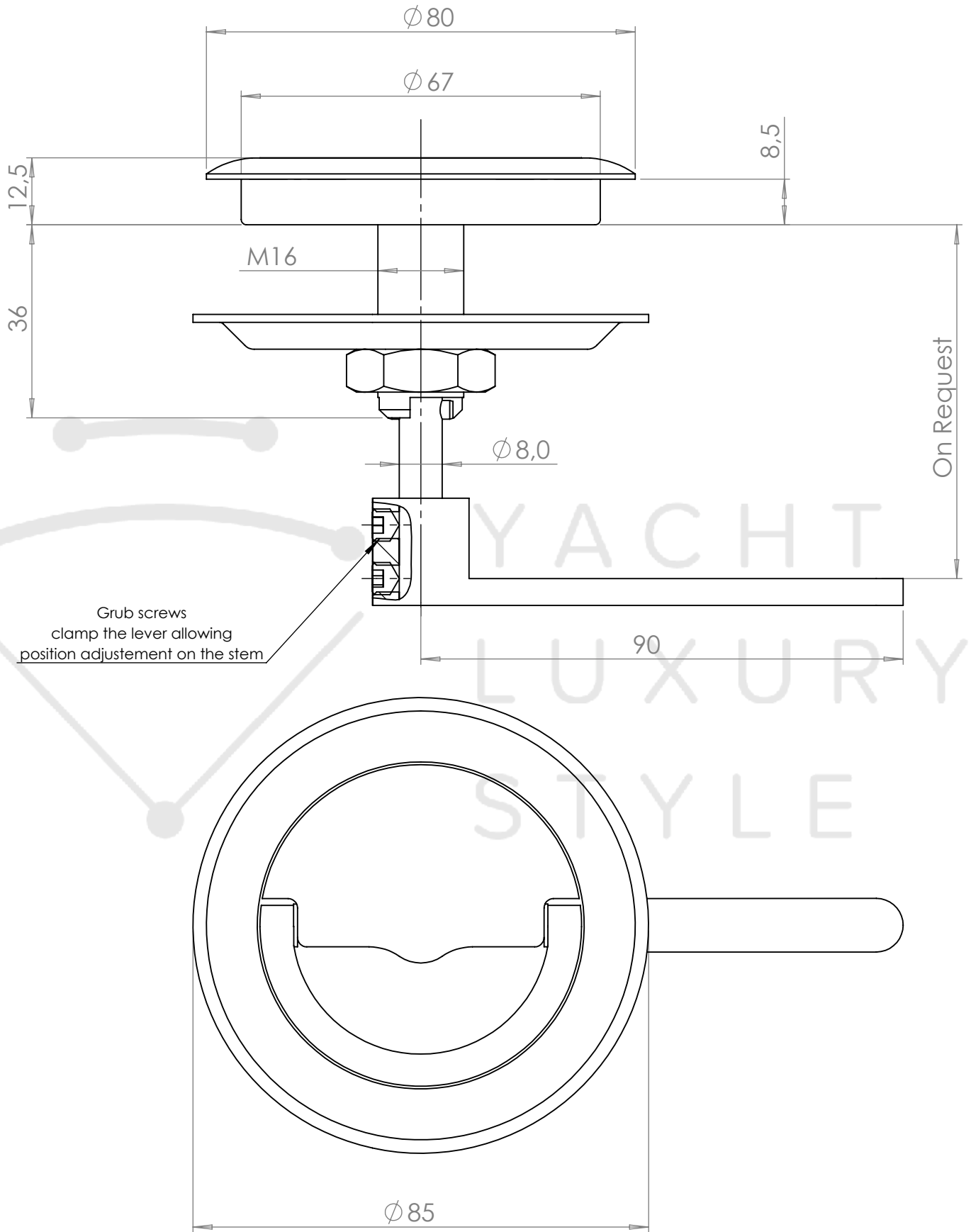


This design is a private property of YLS srl and can't be reproduced or disclosed without its authorization.



SURFACE TREATMENT:		MATERIAL: AISI 316 / Alluminium		CODE: YLSA80V	
General tolerances: UNI EN ISO 22768 - m		Rugosity:		ASSEMBLY: 80 mm raised latch	
CREATED	Last revision	Not dimensioned chips:		PARTICULAR:	
DATE	15/11/2021	17/11/2021	Not dimensioned fittings:		
NAME	Diego Rossi		Revision: 01		



YACHT
LUXURY
STYLE

WEIGHT: 0.46 kg/ 0.17 kg	TABLE FORMAT: A4
N° piece:	SCALE: 1:1

