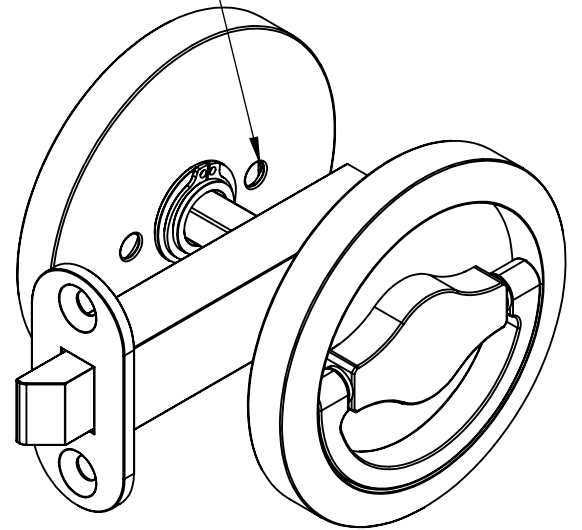
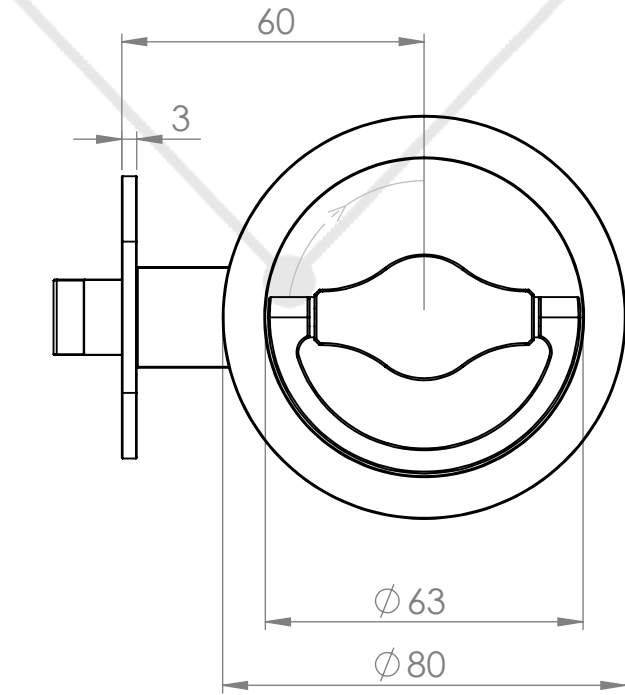
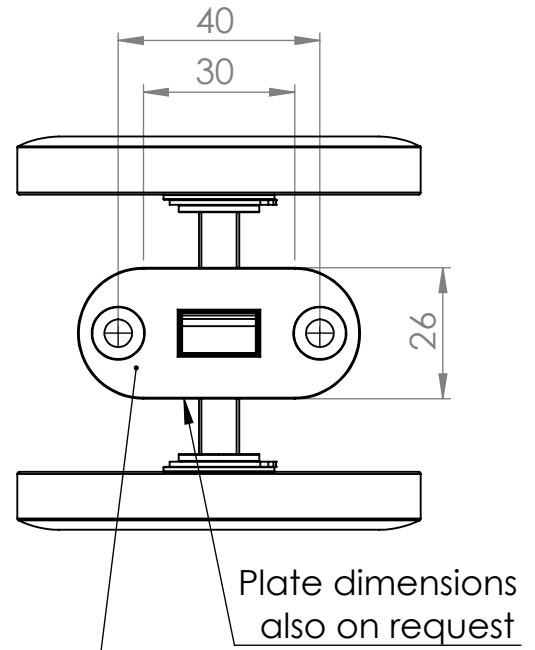
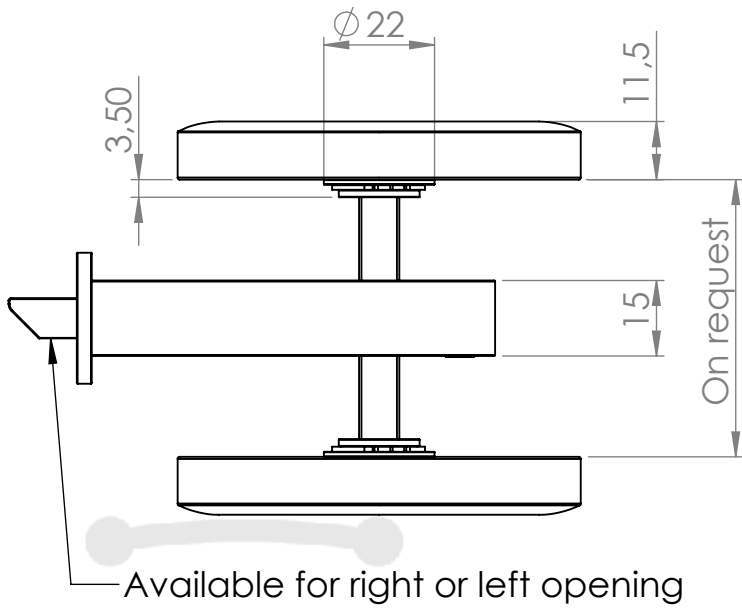




This design is a private property of YLS srl and can't be reproduced or disclosed without its authorization.



SURFACE TREATMENT:		MATERIAL: AISI 316 / Alluminium		CODE: YLSA80S		
General tolerances: UNI EN ISO 22768 - m		Rugosity:		ASSEMBLY: 80mm double recessed latch		
CREATED	Last revision	Not dimensioned chips:		PARTICULAR:		
DATE	29/09/2020	18/11/2021	Not dimensioned fittings:			
NAME	Diego Rossi		Revision:			
 <b>YACHT LUXURY STYLE</b>				WEIGHT: 0.81kg / 0.39kg		TABLE FORMAT: A4
				N° piece:		SCALA: 2:3