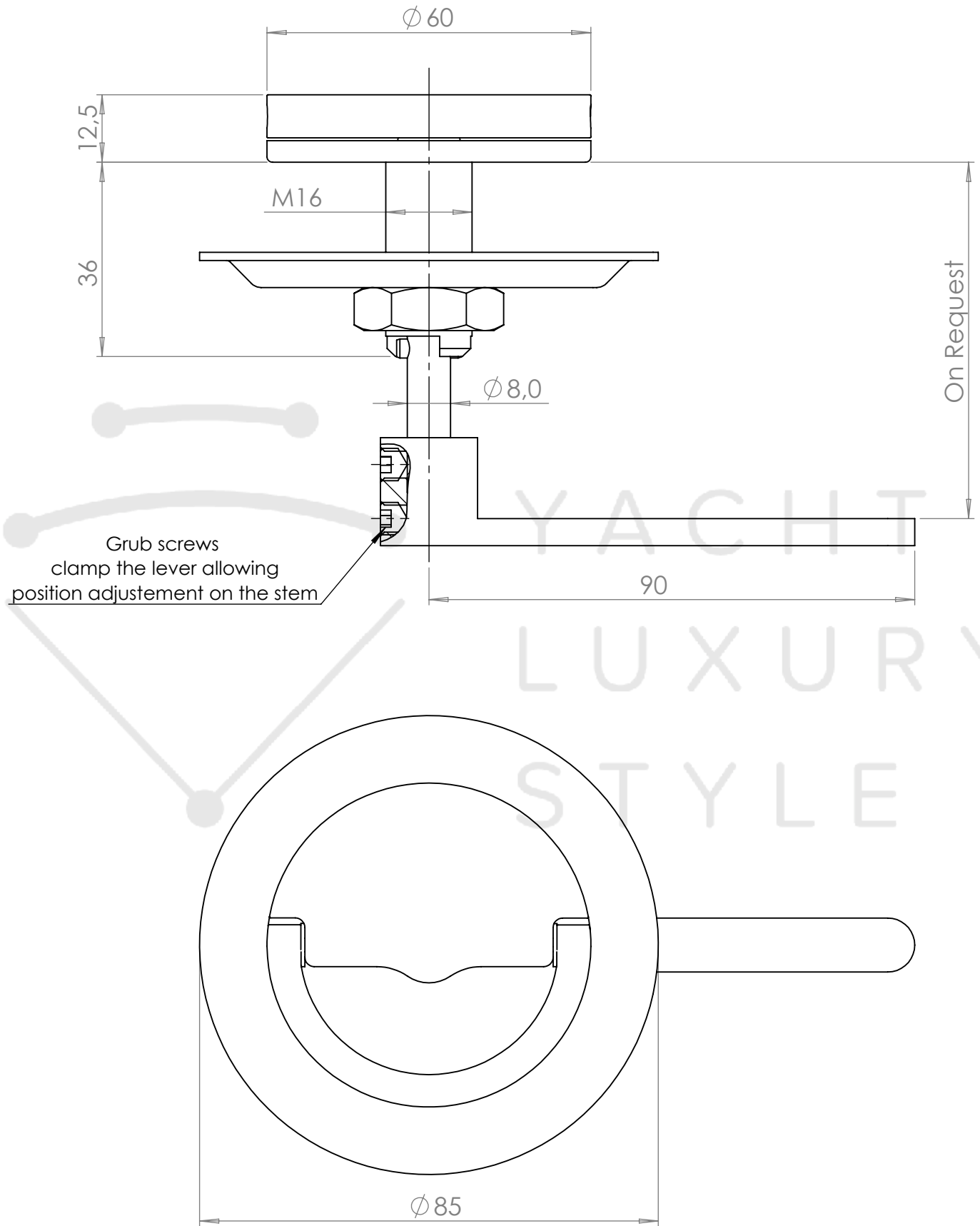



This design is a private property of YLS srl and can't be reproduced or disclosed without its authorization.



SURFACE TREATMENT:		MATERIAL: AISI 316 / Alluminium		CODE: YLSA80I	
General tolerances: UNI EN ISO 22768 - m		Rugosity:		ASSEMBLY: 80 mm recessed latch	
CREATED	Last revision	Not dimensioned chips:		PARTICULAR:	
DATE	15/11/2021	17/11/2021	Not dimensioned fittings:		
NAME	Diego Rossi		Revision: 01		
 YACHT LUXURY STYLE		WEIGHT: 0.42 kg / 0.16 kg		TABLE FORMAT:	A4
		N° piece:		SCALE:	1:1

