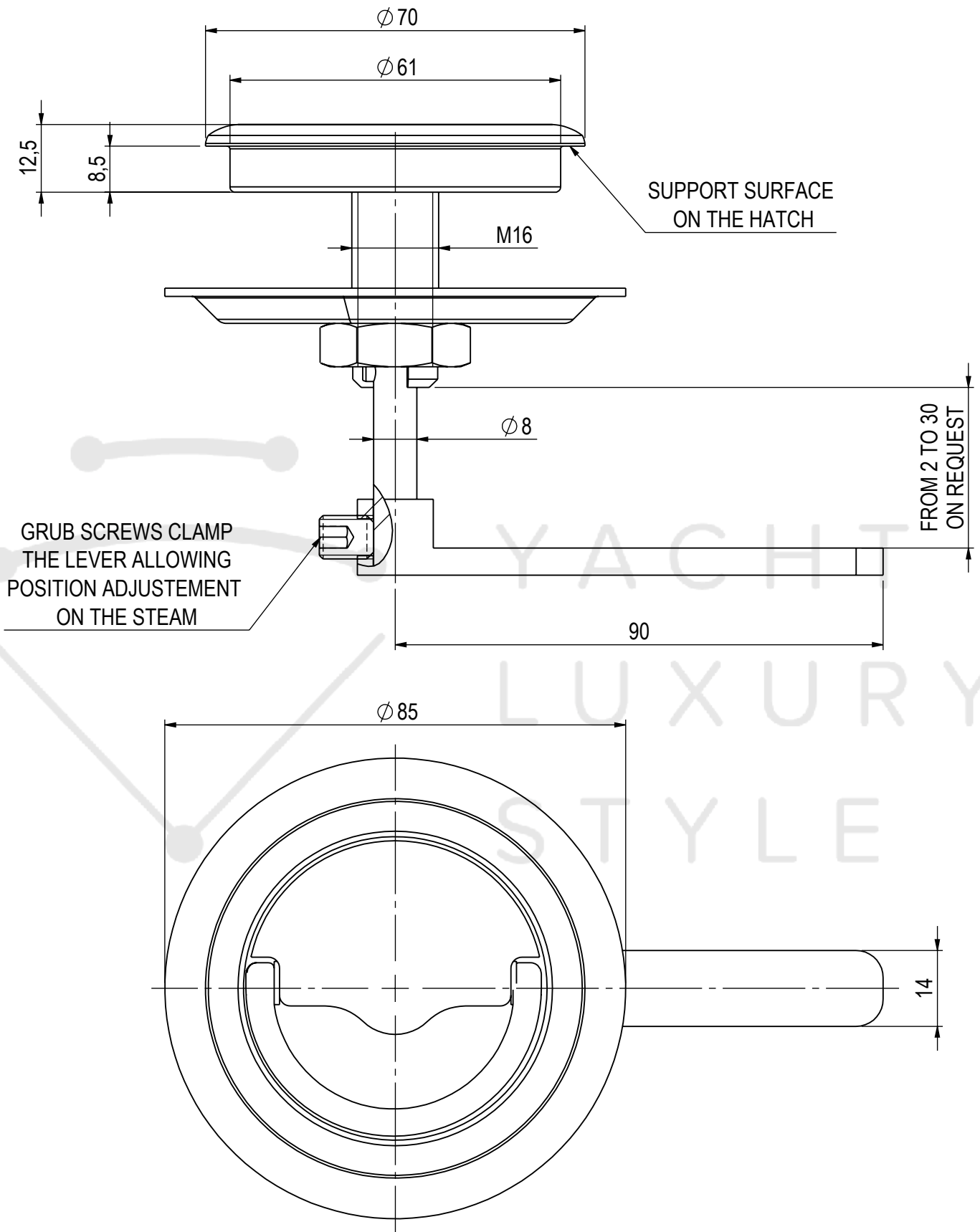





This design is a private property of YLS srl and can't be reproduced or disclosed without its authorization.



SURFACE TREATMENT:		MATERIAL:		CODE:			
-		AISI 316L		YLSA70V03 - TECHNICAL DATASHEET			
General tolerances: UNI EN ISO 22768 - m		Rugosity:		ASSEMBLY:			
				70 MM RAISED LATCH			
CREATED	Last revision	Not dimensioned chips:		PARTICULAR:			
DATE	15/11/2021	20/07/2023	Not dimensioned fittings:		-		
NAME	D. ROSSI		Revision:	03			
		YACHT LUXURY STYLE		WEIGHT:	481.80g	TABLE FORMAT:	A4
				N° piece:		SCALA:	1:1